

General Notes

1. Contact Cooperative before mounting to the house.
2. Cooperative the meter itself. Members owns the meter base and wire within.
3. Member responsible for mounting meter base, running wire from base to disconnect, and installing the mast with service wire.
4. All conduits within base and disconnect needed bushing and lock rings.
5. Meter base needs to be installed so that the meter is 5' to 5 ½'. The base and weatherhead mounted at minimum of 3' from windows, doors, porches, balconies, ladders, stairs, fire escapes, or other locations accessible to pedestrian traffic. The weatherhead height is a minimum of 12' above area available for pedestrian traffic.
6. External disconnect required either under or adjacent to meter base.
7. Cooperative will install ground rod and clamp.
8. Service conduit; See right column
9. If Service conduit is masted thru roof a roof plate or boot is required.
10. Weatherhead needs 36" of tail of service wire.
11. Once all above is completed and Aid-to-Construction paid the member can inform Cooperative and the work order can be released for service installation.
12. Cooperative service wire should have minimum clearance of 16 feet to ground.
13. All wiring within the loop is to be to National Electric Safety Code (NEC).

Service Conduit

1. 2" Rigid Metal Conduit [200 Amp]
2. 1 ¼" Rigid Metal Conduit [100 Amp]
3. Min height to secondary wire above walkways or ground level – 12'
4. Min Meter/Service wire Window – 5'
5. Clearance over driveway – 18'
If masted thru roof
 1. 2 ½" Galvanized Metal Conduit [100/200 Amps]
 2. Less than 4' of Over Hang
 3. Min Height – 18"; Max Height – 36" w/o Guy
 4. 3' or more above roof requires guying
 5. Blocking either between/across rafters
 6. Roof plate/boot required

Service Entrance Wire Size

Ground Wire – Bare #6
200 Amp Between Base and Disconnect – 3/0 Copper
100 Amp Between base and Disconnect - #2 Copper



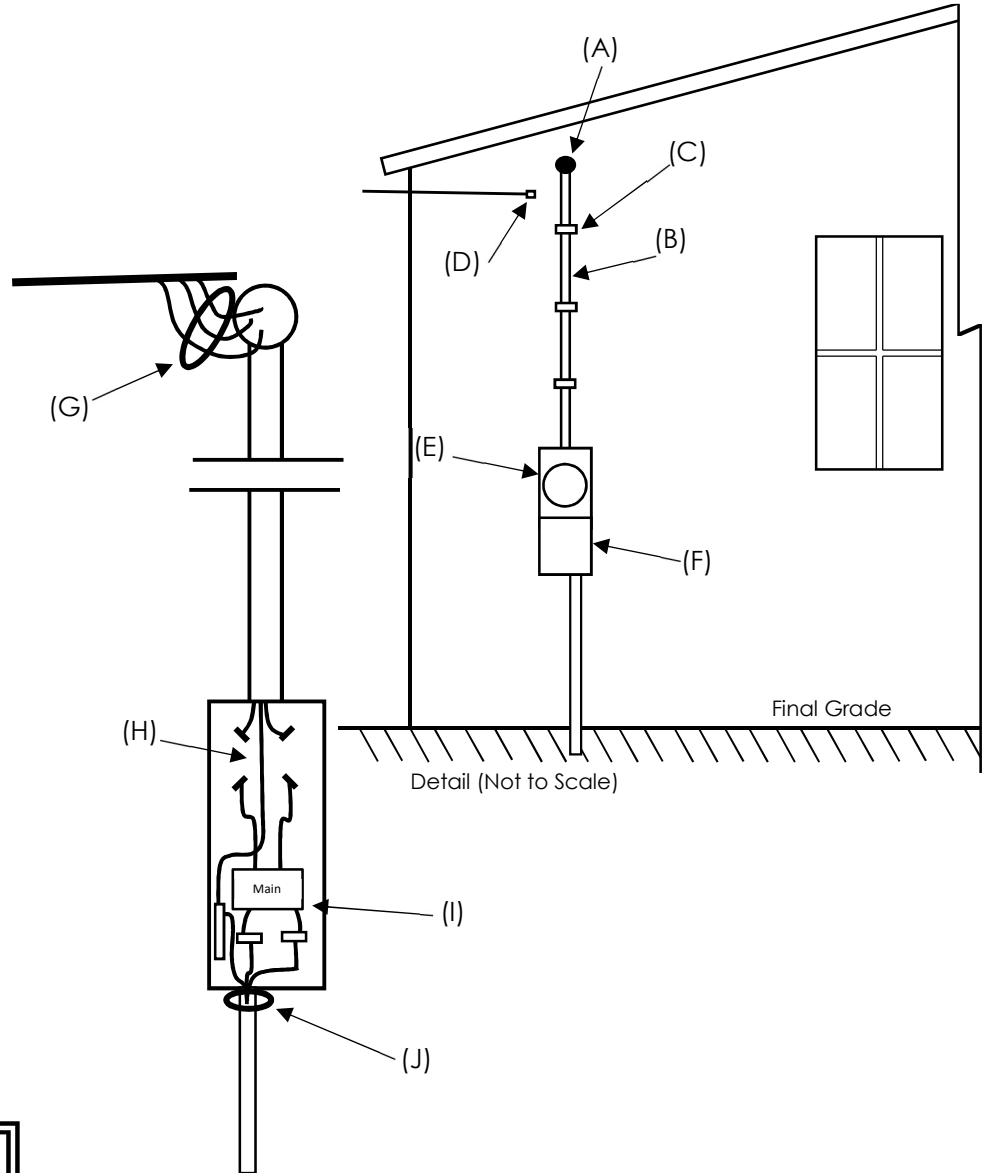
Overhead Service Installation "House (OH)"
Single Phase 120/240 Volts, Three Wire, 100/200 AMP

(See Front Side) →

Detail Notes

- (A) – Weatherhead
- (B) – Service Conduit (See Reverse)
- (C) – Clamps
- (D) – Wire Holder; Cooperative Service Drop
- (E) – Meter Base
- (F) – Disconnect (Fused)
- (G) – Service Connection
- (H) – Meter Socket
- (I) – Main Breaker
- (J) – Member's Conductors

Overhead Service Installation "House (OH)"
Single Phase 120/240 Volts, Three Wire, 100/200 AMP



Call Julie before you dig – 800-892-0123

(See Back Side) →